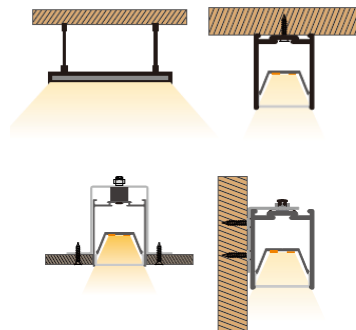
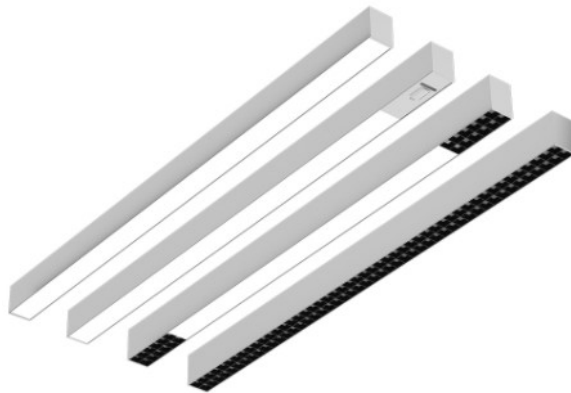
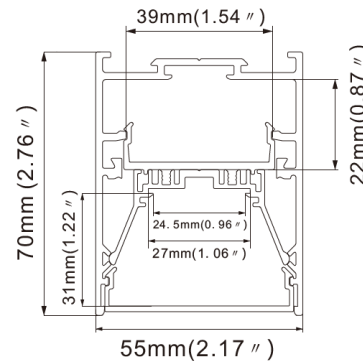
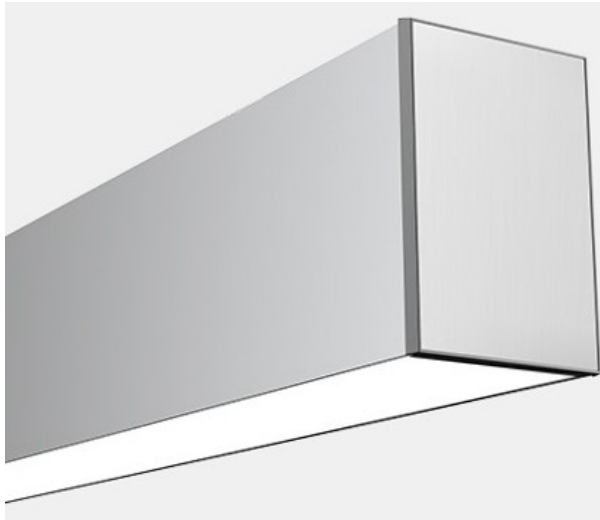


# Capricorn

A moderate linear light ideal for suspending or surface mounting with in office, school, museum or hotel application.

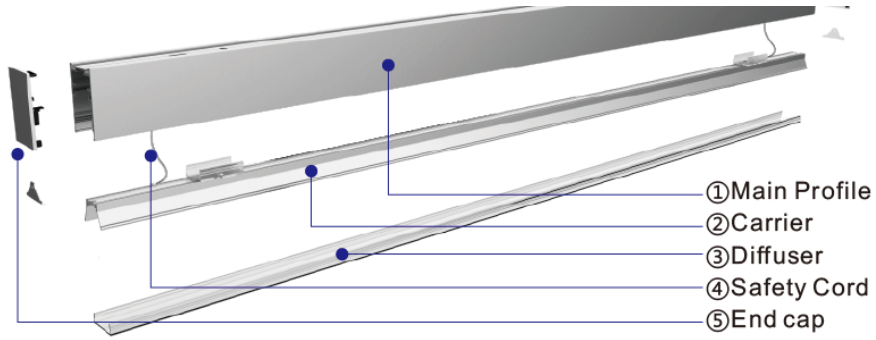
Available with dimming, dali connection and custom finishes.



<b>POWER (W)</b>	20W / 25W / 40W - PER METER
<b>COLOUR TEMPERATURE (K)</b>	2700K / 3000K / 4000K / 6000K / RGB
<b>DELIVERED LUMEN OUTPUT</b>	3250lm/m (25W/m CRI >80), 2750lm/m (25W/m CRI>95) 3900lm/m (20W/m CRI>80), 3300lm/m (20W/m CRI>95)
<b>CRI</b>	>90
<b>BEAM ANGLE (B)</b>	120° Wide
<b>ROTATE ANGLE</b>	N/A
<b>IP RATING</b>	IP40
<b>FINISH (F)</b>	WHITE /BLACK/ CUSTOM RAL
<b>INSTALLATION</b>	SURFACE / WALL MOUNT / PENDANT
<b>DIMMING OPTIONS</b>	STANDARD PHASE CUT (LEADING OR TRAILING EDGE)  DALI OPTION AVAILABLE
<b>DRIVER</b>	240V REMOTE
<b>STANDARD LENGTH</b>	2.5M



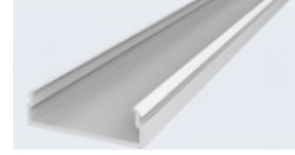
Installation and Accesories



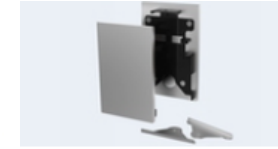
# Capricorn



L5570 main profile



L5570 PC cover



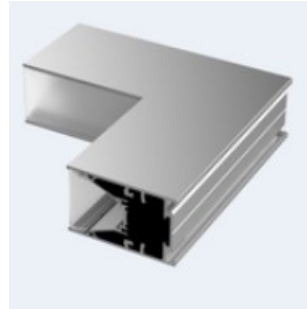
Aluminum end cap



Straight connector



Corner connector



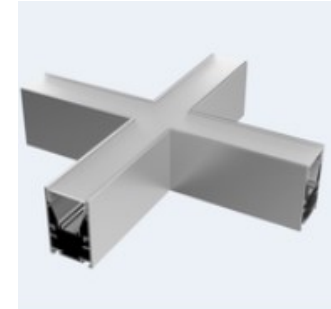
Corner connector



Corner connector



T shape connector



X shape connector



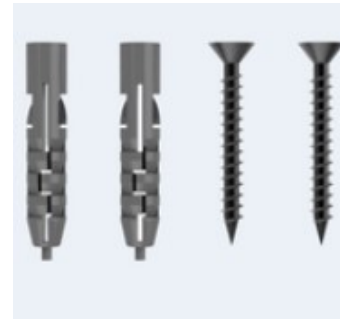
Pendant wire



Pendant wire with



Recessed clip



Ceiling mounted screw



Wall mounted clip

