

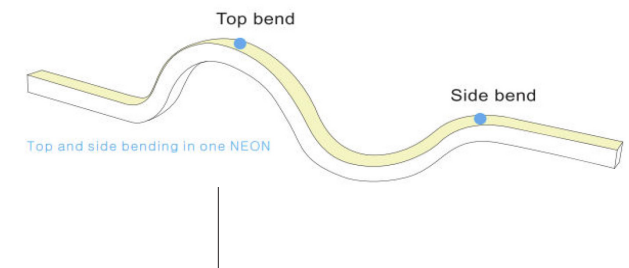
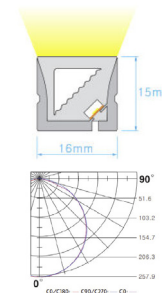
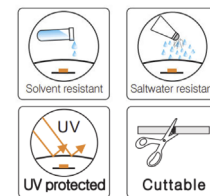
Neon Bellatrix

10W

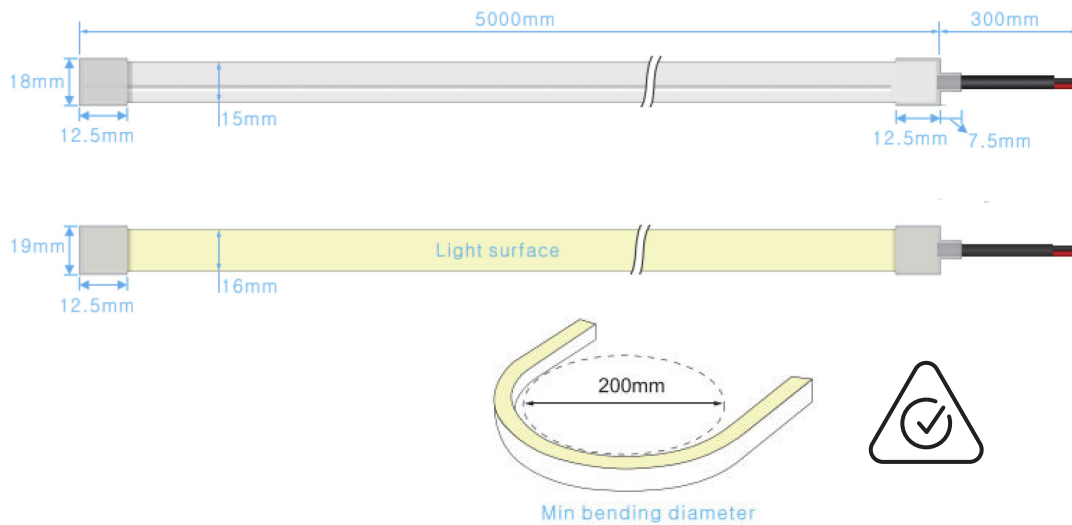
Neon Flex lighting provides endless opportunities for light applications. Manufactured to the highest standard with robust, UV proof, flexible silicon housing emitting a uniform light output. Cuttable, solder free, easy to install indoors or outdoors and available in RGBW the Bellatrix Neon is a great option for getting creative. Choose a modest strip of warm light or create a shape that rotates through colours for a fun accent to a space.

POWER (W)	10W (1615)
COLOUR TEMPERATURE (K)	2200K / 27000K / 3000K / 4000K / RGBW
DELIVERED LUMEN OUTPUT	701 LM/M (3000K)
CRI	>90
BEAM ANGLE (B)	120°
ROTATE ANGLE	FLEXIBLE
IP RATING	IP67
FINISH (F)	HIGH QUALITY WHITE SILICON
INSTALLATION	SURFACE / RECESSED
DIMMING OPTIONS	STANDARD PHASE CUT (LEADING OR TRAILING EDGE) DALI OPTION AVAILABLE
DRIVER	240V Remote
CUT OUT	N/A

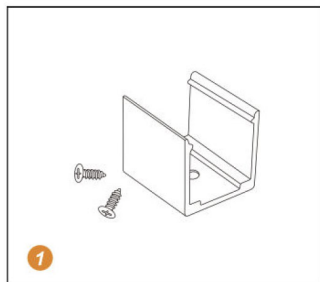
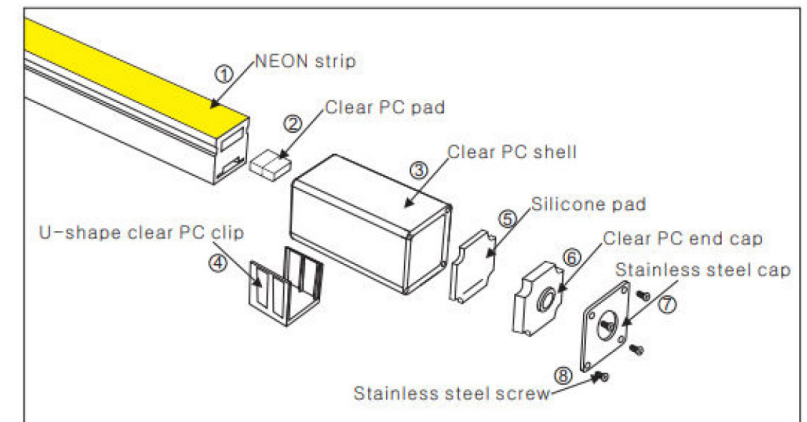
ORDER CODE: NFBEL3D-W-K-B-F



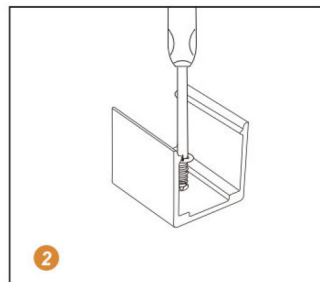
Neon Bellatrix



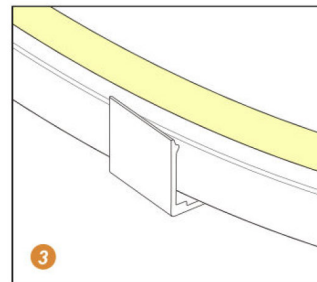
Explosive drawing of Solder-free connector without cable



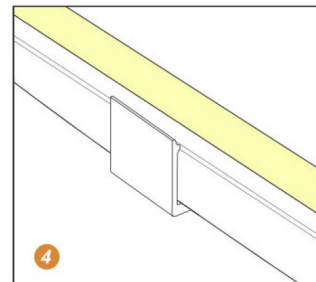
1 Prepare the screws and mounting clips



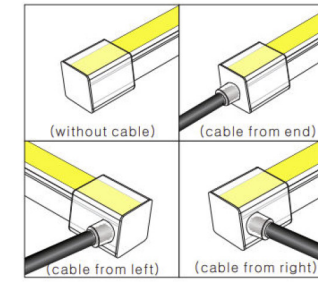
2 Adjust the fixed clips to the appropriate place, use a screwdriver to fix the screw.



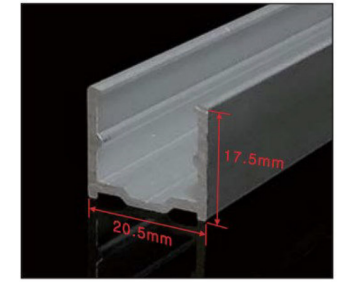
3 Put the light emitting surface upwards, then insert the LED strip into the fixed clips.



4 Fix NEON strip completely into the fixed clip.



Cable outlet



Mounting clip (length: 2cm)
Mounting channel (length: 1m, 2m, 3m)