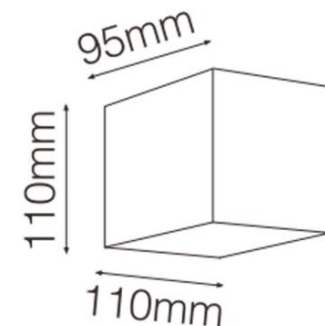
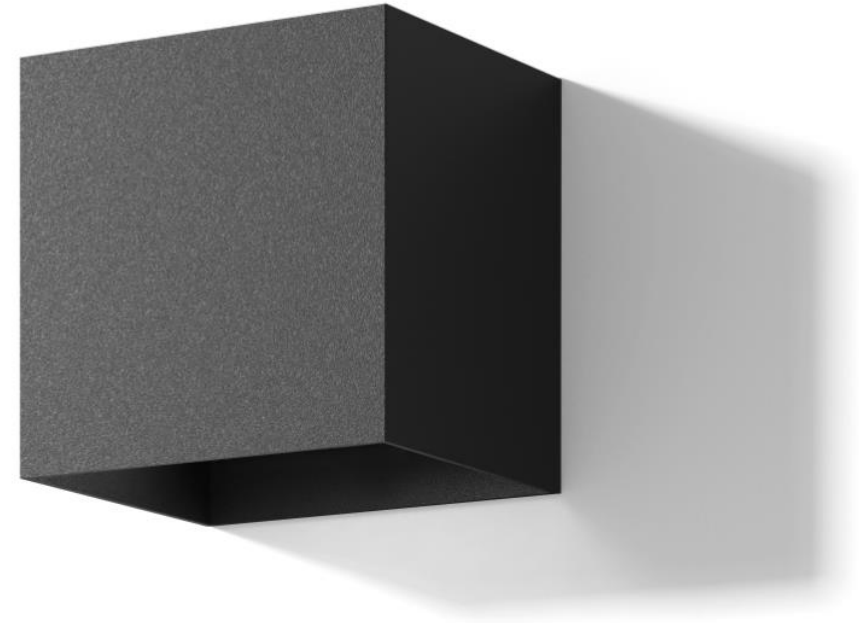


Polaris G2

2 x 3W

POWER (W)	2 x 3W
COLOUR TEMPERATURE (K)	3000K
DELIVERED LUMEN OUTPUT	430 LM/M (3000K)
CRI	>80
BEAM ANGLE (B)	2 x 90° Wide
ROTATE ANGLE	N/A
IP RATING	IP65
FINISH (F)	DARK GREY / CUSTOM RAL
INSTALLATION	WALL MOUNT
DIMMING OPTIONS	ON-OFF
DRIVER	220-240 VAC
CUT OUT	N/A

ORDER CODE: WLPOL-W-K-B-F



quotes@arklighting.com.au / (03) 8595 0959